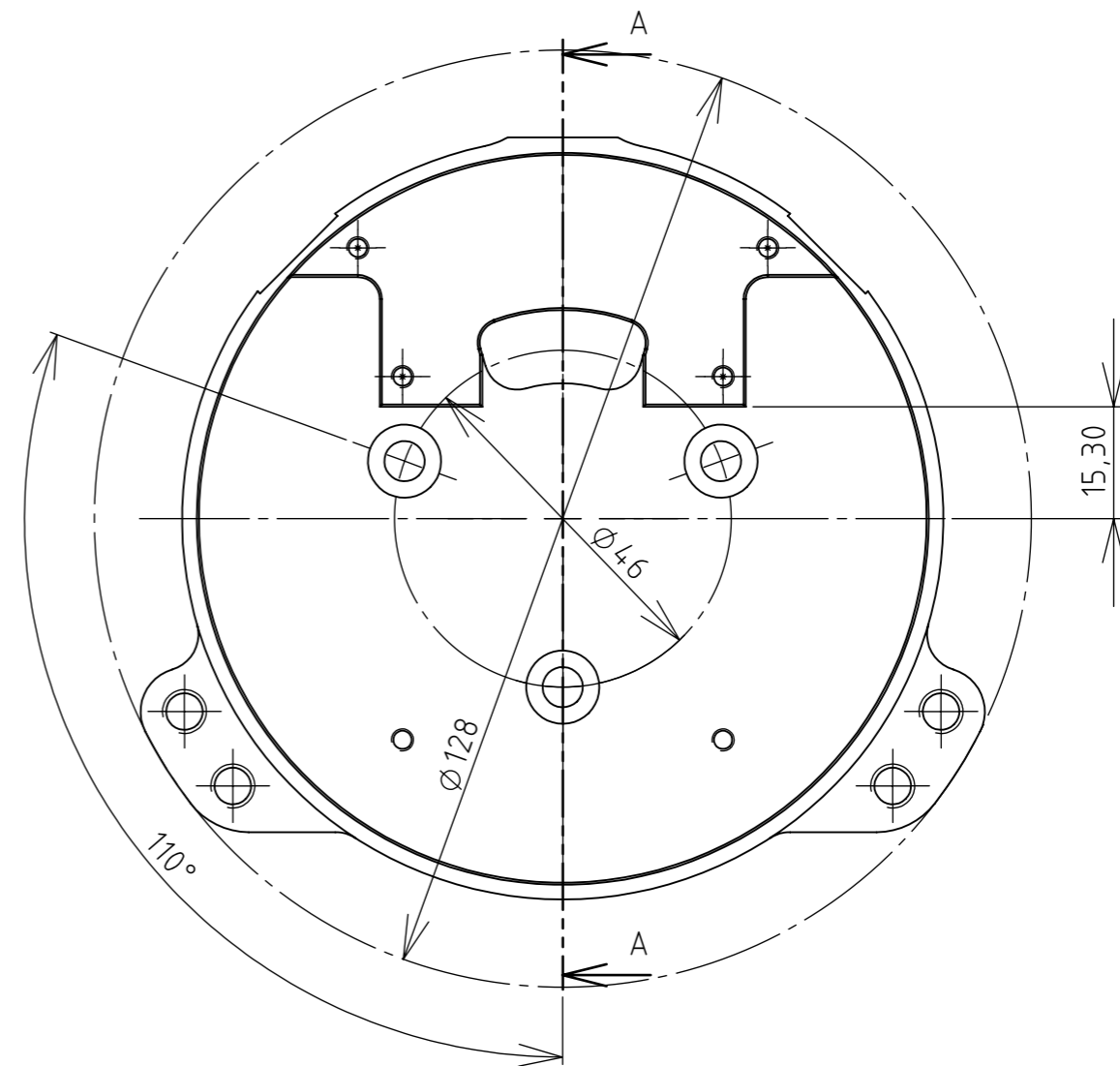
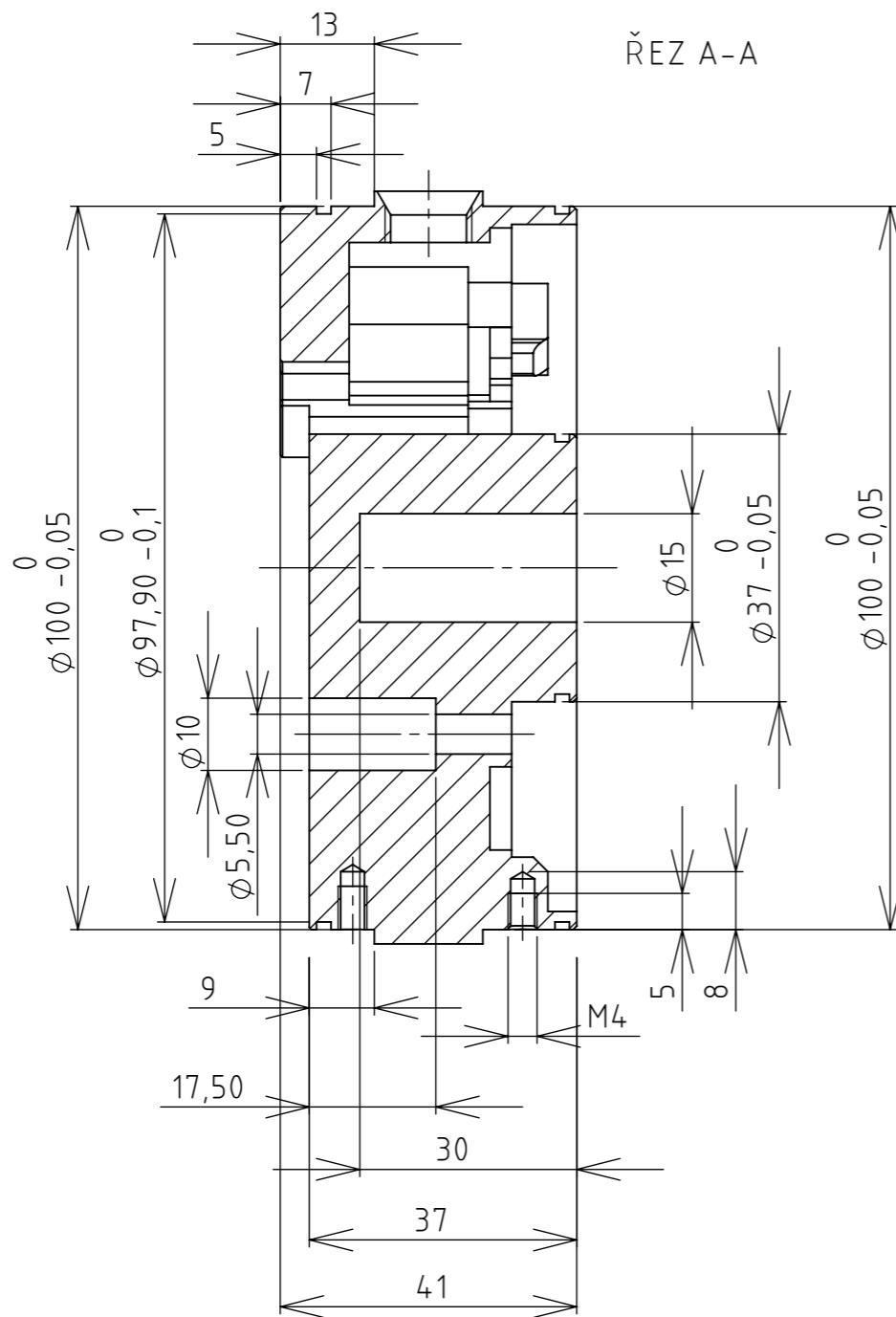


PROTOTYP

ŘEZ A-A



PROPRIETARY AND CONFIDENTIAL
 THE INFORMATION CONTAINED IN THIS DRAWING IS THE SOLE PROPERTY OF MSR ENGINES s.r.o. ANY REPRODUCTION IN PART OR AS A WHOLE WITHOUT THE WRITTEN PERMISSION OF MSR ENGINES s.r.o. IS PROHIBITED.

DIMENSIONS ARE IN MILLIMETRES TOLERANCING TO ISO 8015 TOLERANCE CLASS IN ACCORDANCE WITH ISO 2768-FH		NAME	DATE
PROJECTION:		DRAWN	KONEČNÝ 12.6.2017
MATERIAL EN AW 2030		CHECKED	
FINISH Ra 3,2		ENG APPR.	
DO NOT SCALE DRAWING		MFG APPR.	MACEK
INV No.	USED ON	Q.A.	KUČERA
APPLICATION		CHANGES TO THIS DRAWING MUST BE INCORPORATED VIA 3D CAD SYSTEM	

A000-00-000		502-X00-00	
SIZE	A3	DWG. NO.	X001046A
SCALE:1:1	WEIGHT:	REV.	0

ČELO STATORU

MSR engines s.r.o., www.msrengrines.com
 Štefánekova 97, 637 00 Brno CZ, IČO: 25958215

SHEET 1 OF 1