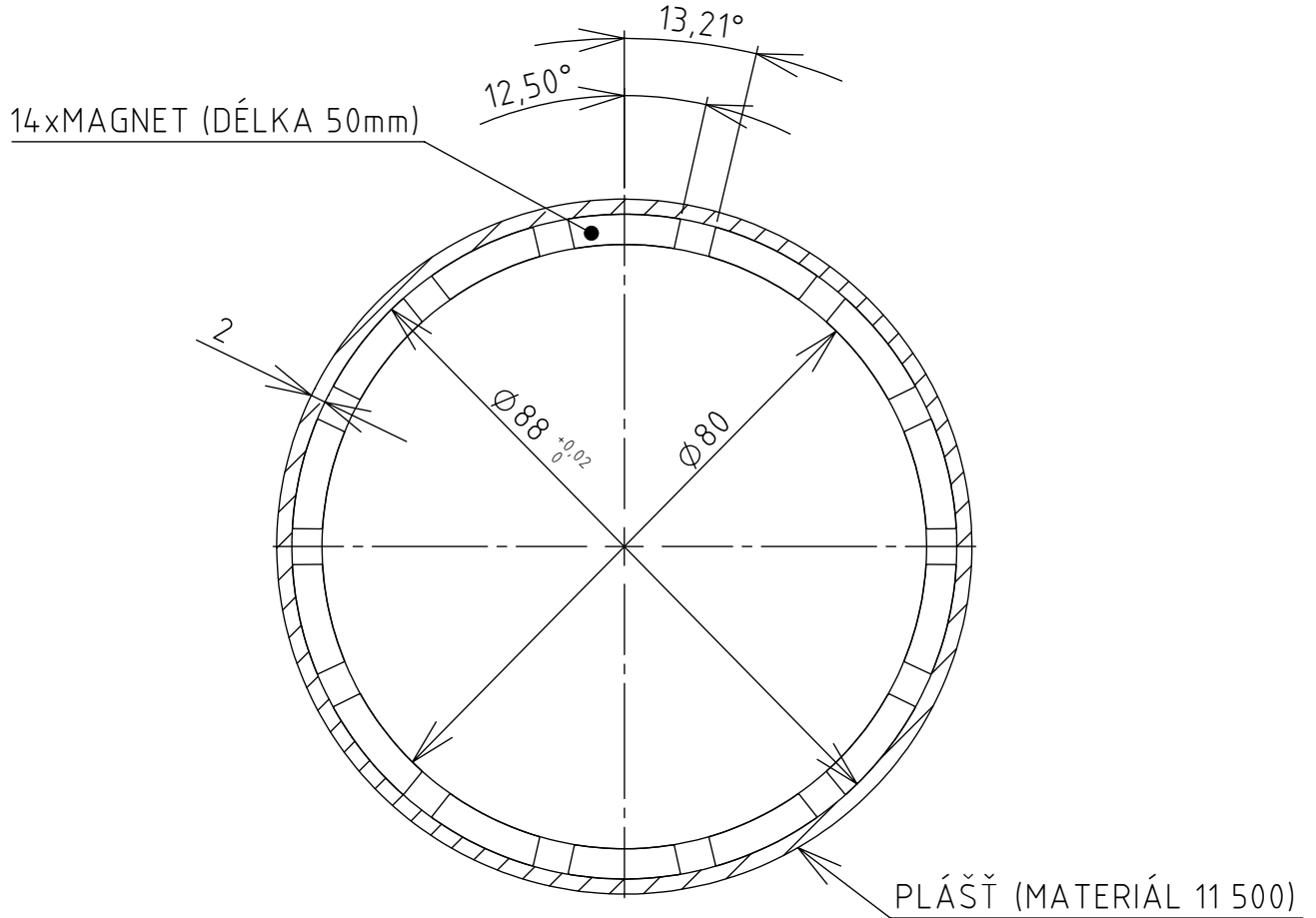


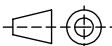

# PROTOTYP



A  
B  
C  
D  
E  
F

**PROPRIETARY AND CONFIDENTIAL**

THE INFORMATION CONTAINED IN THIS DRAWING IS THE SOLE PROPERTY OF MSR ENGINES s.r.o. ANY REPRODUCTION IN PART OR AS A WHOLE WITHOUT THE WRITTEN PERMISSION OF MSR ENGINES s.r.o. IS PROHIBITED.

		DIMENSIONS ARE IN MILLIMETRES TOLERANCING TO ISO 8015 TOLERANCE CLASS IN ACCORDANCE WITH ISO 2768-FH		NAME	DATE	R_MSR_78_V1_002-MAGNETY
		PROJECTION: 		DRAWN	KONEČNÝ 12.6.2017	
		MATERIAL		CHECKED		
		FINISH		ENG APPR.		
A000-00-000	502-X00-00	DO NOT SCALE DRAWING		MFG APPR.	MACEK	 <small>MSR engines s.r.o., www.msrenines.com                  Telefon 97 637 00 800 CZ, IČO 26369115</small>
INV No.	USED ON			Q.A.	KUČERA	
APPLICATION				CHANGES TO THIS DRAWING MUST BE INCORPORATED VIA 3D CAD SYSTEM		
				SIZE	DWG. NO.	REV. 0
				A4	X001645A	
				SCALE:1:1	WEIGHT:	SHEET 1 OF 1